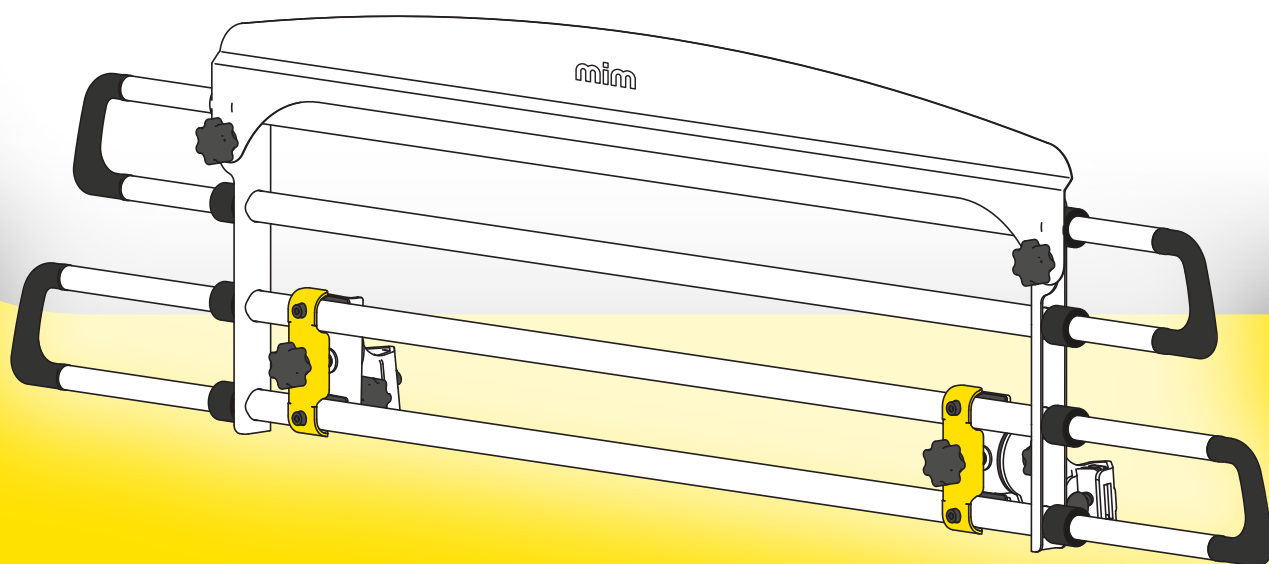


mimSAFE

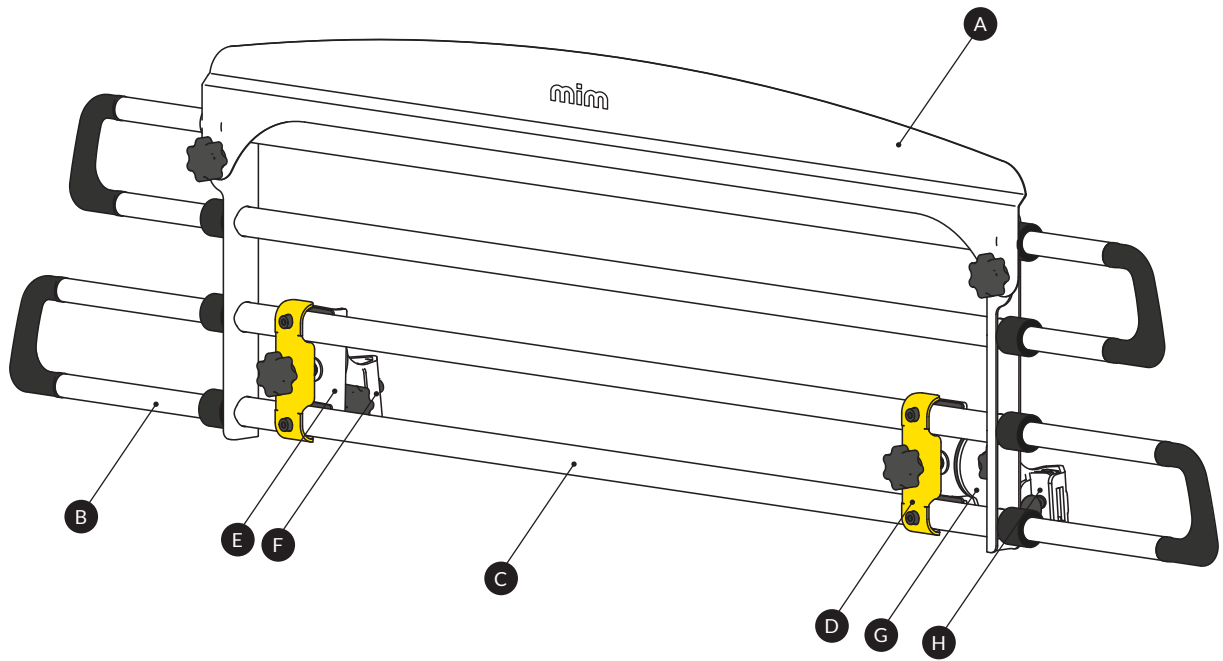
www.mimsafe.se



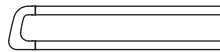
ASSEMBLY INSTRUCTIONS

VARIOBARRIER

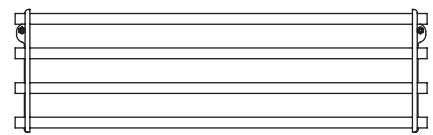
headrest



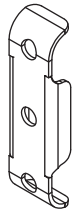
A	F310E	1X
	Part no	No of items



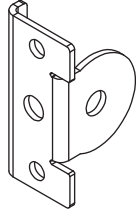
B	F521	4X
	Part no	No of items



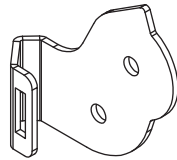
C	FS444	1X
	Part no	No of items



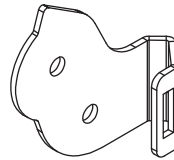
D	F310A	2X
	Part no	No of items



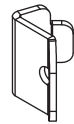
E	F310B	2X
	Part no	No of items



F	F310CL	1X
	Part no	No of items



G	F310CR	1X
	Part no	No of items



H	F310D	2X
	Part no	No of items

<p>M-R3015M8S 2X</p>	<p>M-10063 2X</p> <p>rubber</p>	<p>M-460641D 12X</p> <p>rubber</p>	<p>M-460641AY 8X</p> <p>rubber end caps</p>	<p>M-460641AL 8X</p> <p>plastic end caps</p>
<p>M-R3015M835S 2X</p>	<p>M-R3015M820S 2X</p>	<p>M-R3015M610S 2X</p>	<p>M-VBM8x30S 2X</p>	<p>M-VBM8x25S 2X</p>

STEP
1



M-460641AY
8X

rubber end caps

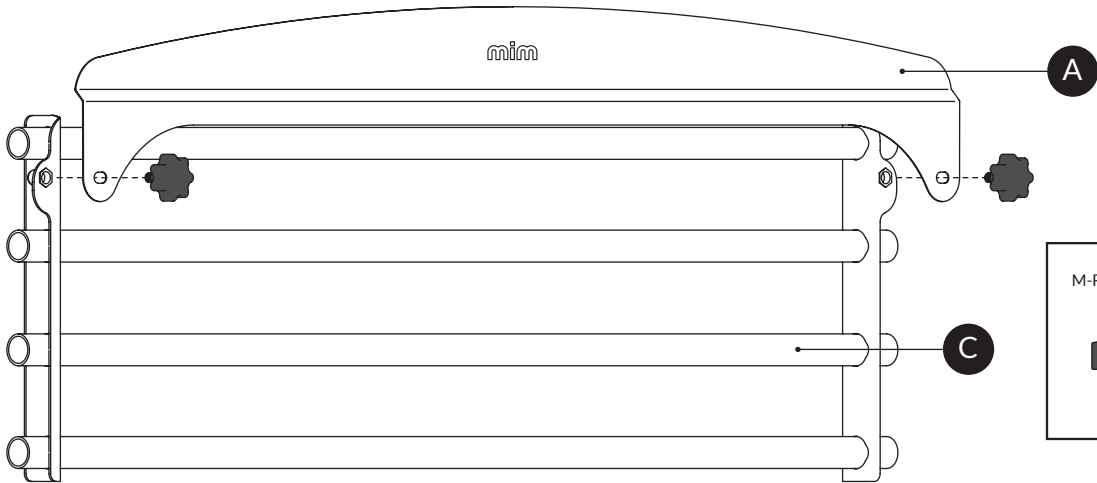
STEP
2



M-460641AL
8X

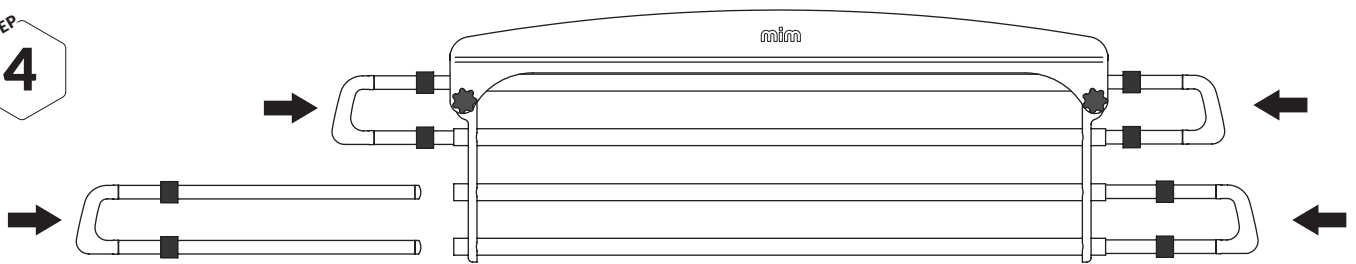
plastic end caps

STEP
3

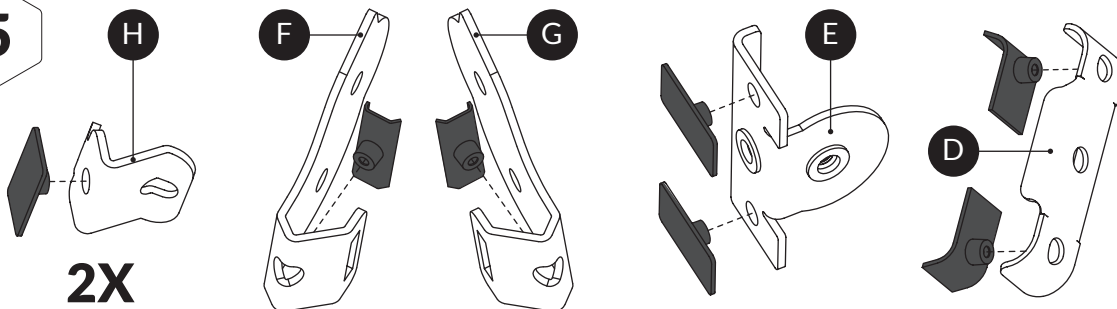


M-R3015M610S
2X

STEP
4



STEP
5



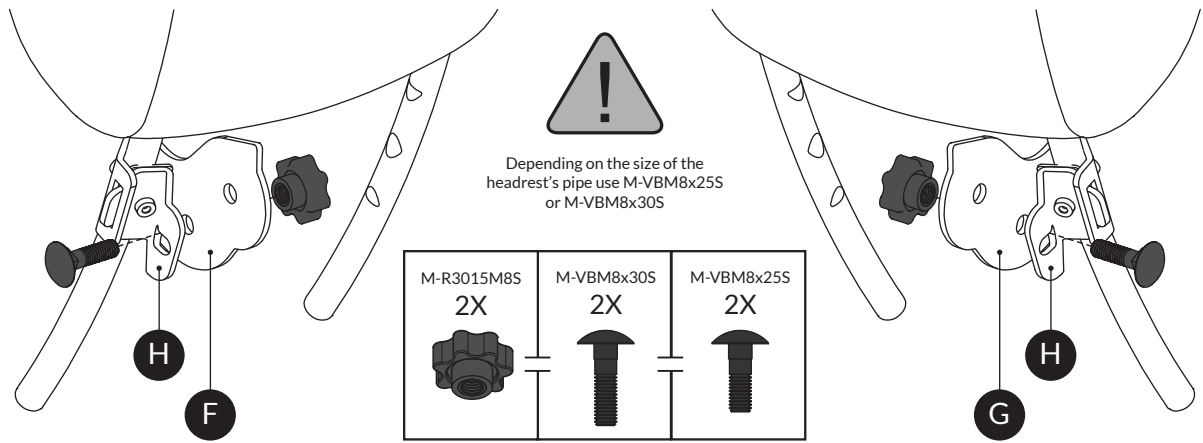
M-460641D
12X

rubber

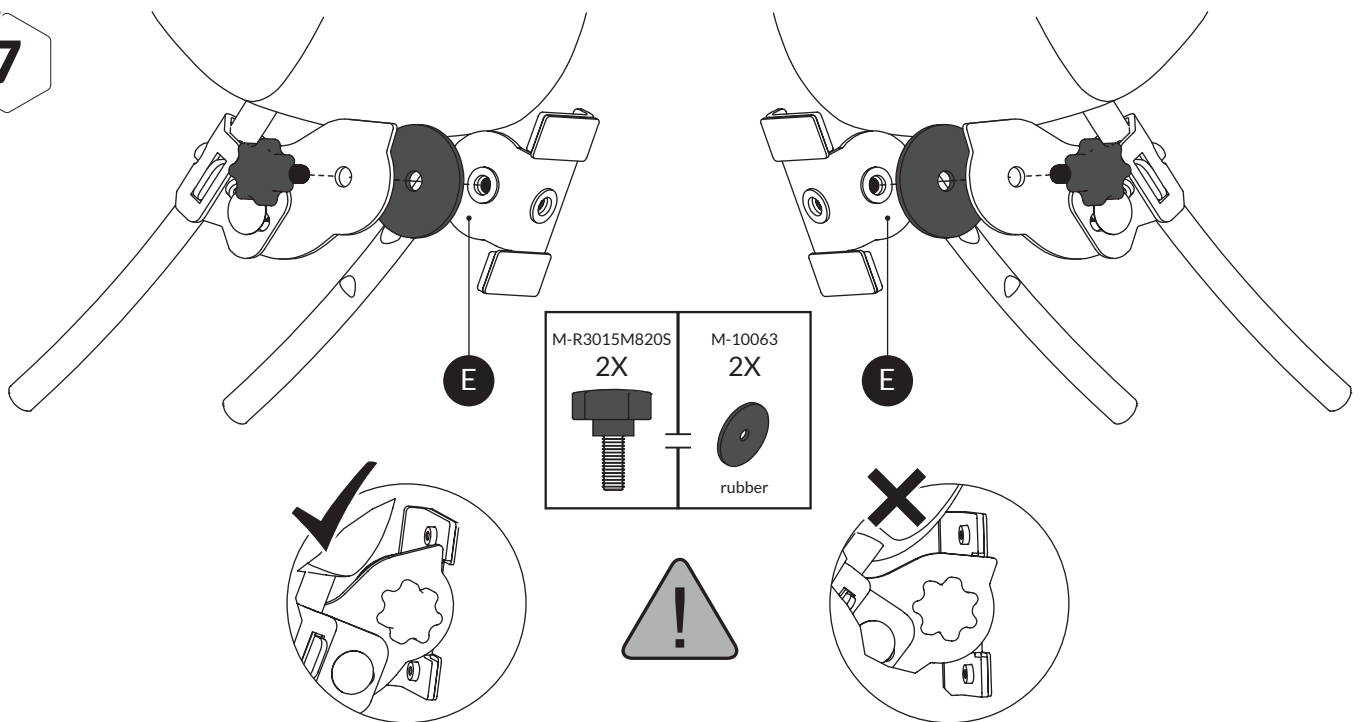
2X

2X

STEP
6



STEP
7



STEP
8

